

SPECIFICATIONS

Electrical Ratings	3A @ 120 VAC, 28VDC; 1A @ 250VAC
Electrical Life	50,000 cycles typical
Contact Resistance	< 20 mΩ max initial @ 2-4VDC, 100mA
Dielectric Strength	1500Vrms min
Actuator Travel	.85mm +/- .2mm
Insulation Resistance	> 100MΩ min
Operating Temperature	-40°C to 85°C
Storage Temperature	-40°C to 85°C



MATERIALS ←RoHS COMPLIANT


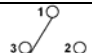
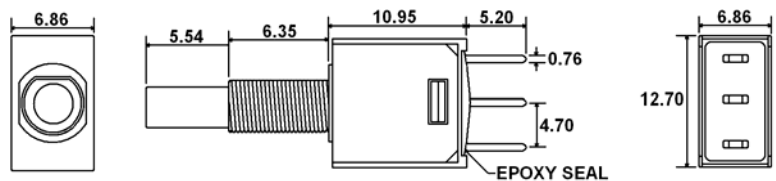


Actuator	6/6 Nylon, Glass Filled
Housing	DAP – Diallyl Phthalate
Cover	Stainless Steel
Bushing	Brass, Nickel Plated
Contacts	Brass, Silver Plated
Terminals	Brass, Silver Plated


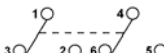
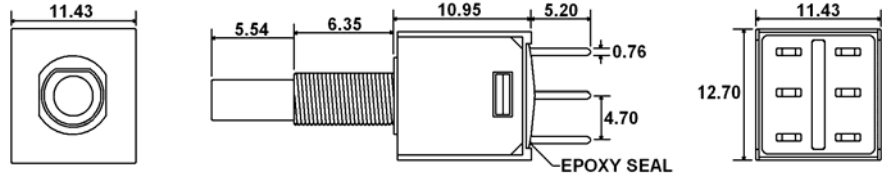


UL US - E222871

ORDERING INFORMATION

Series:	ANP	2	1	F4	C	Q	E	C742
ANP								
Number of Poles:								
1 = SPDT								
2 = DPDT								
Switch Function:								
1 = ON - (ON)								
2 = ON – ON (Latching)								
Bushing:								
F4 / N4 = ¼-40NS / Non-Threaded, Keyway, 6.35mm								
F9 / N9 = ¼-40NS / Non-Threaded, Flat, 6.35mm								
<i>**No bushing is selected if a panel mount frame is selected below</i>								
Terminals:								
B = Solder Lug								
C = PC Pin								
D = Quick Connect								
H = Horizontal Mount, Right Angle PC Pin; <i>HS = Snap-in</i>								
V = Vertical Mount, Right Angle PC Pin								
S20 = PC Pin with Support Bracket; <i>V20 = Snap-in Support Bracket</i>								
S25 = PC Pin with Support Bracket; <i>V25 = Snap-in Support Bracket</i>								
S40 = PC Pin with Support Bracket; <i>V40 = Snap-in Support Bracket</i>								
Contacts:								
Q = Silver Plated								
R = Gold Plated								
G = Gold over Silver Plated								
Epoxy Seal:								
E = Epoxy Seal								
Actuator Cap / Frame:					Actuator Cap / Frame Colors:			
Blank = None					<i>** See Cap Options for color availability</i>			
C73					F75 = Snap-in Panel Mount w/ Frame			
C74					F76 = Snap-in Panel Mount w/ Frame			
C75					L75 = Snap-in Panel Mount w/ Frame and LED			
C76					L76 = Snap-in Panel Mount w/ Frame and LED			
C77								

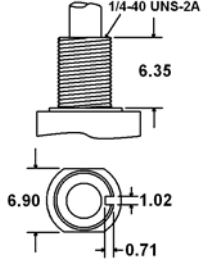
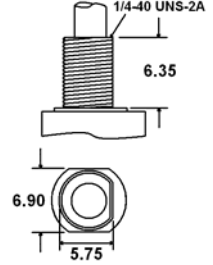
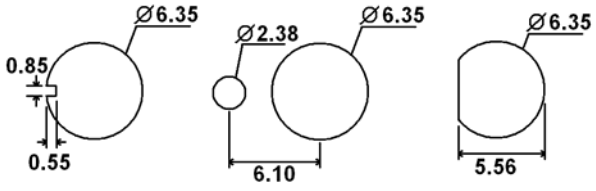
SWITCH FUNCTION

 SPDT 	Function	Toggle Position		
				
	1	ON	(ON)	
	2	ON	ON	
Terminals	1-3	1-2		

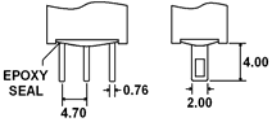
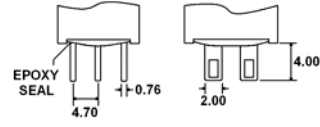
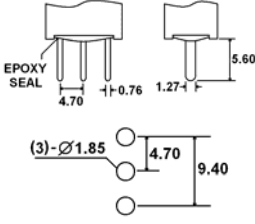
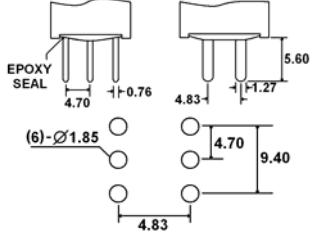
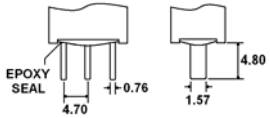
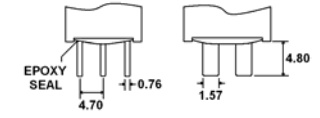
 DPDT 	Function	Toggle Position		
				
	1	ON	(ON)	
	2	ON	ON	
Terminals	1-3 4-6	1-2 4-5		

BUSHING OPTIONS

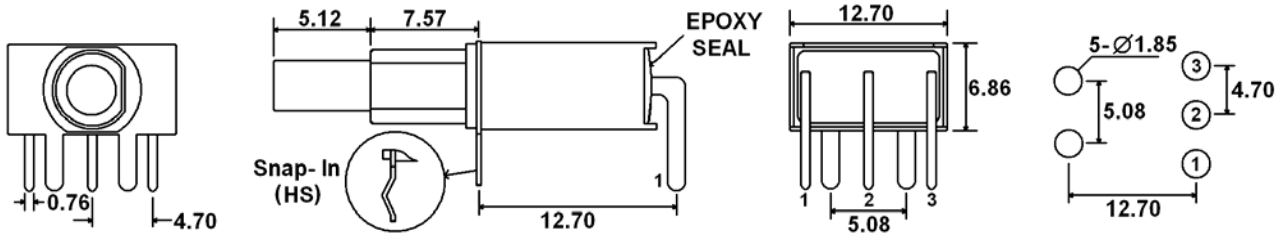
PANEL MOUNTING

 F4 (Threaded) N4 (Non-Threaded)	 F9 (Threaded) N9 (Non-Threaded)	 1/4" - 40 Bushings
--	--	---

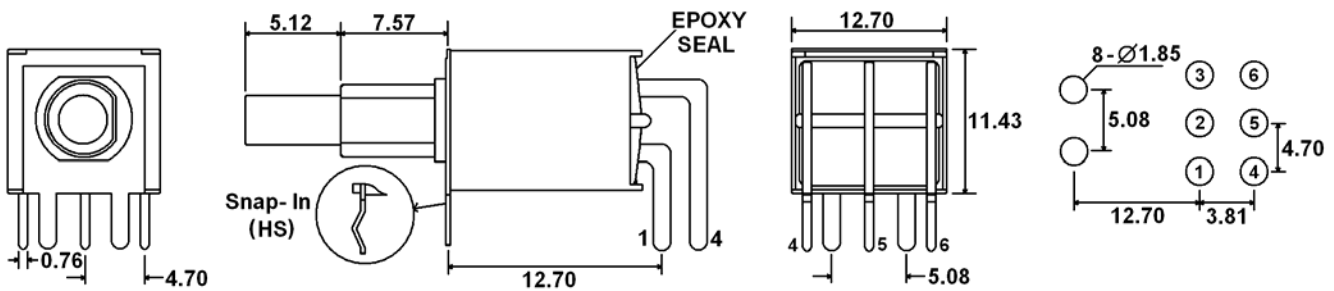
TERMINAL OPTIONS

 B (Single Pole)	 B (Double Pole)	 C (Single Pole)	 C (Double Pole)
 D (Single Pole)	 D (Double Pole)		

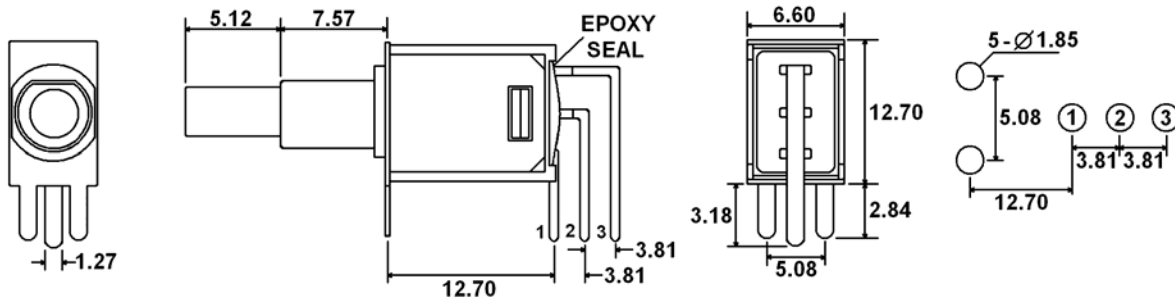
TERMINAL OPTIONS



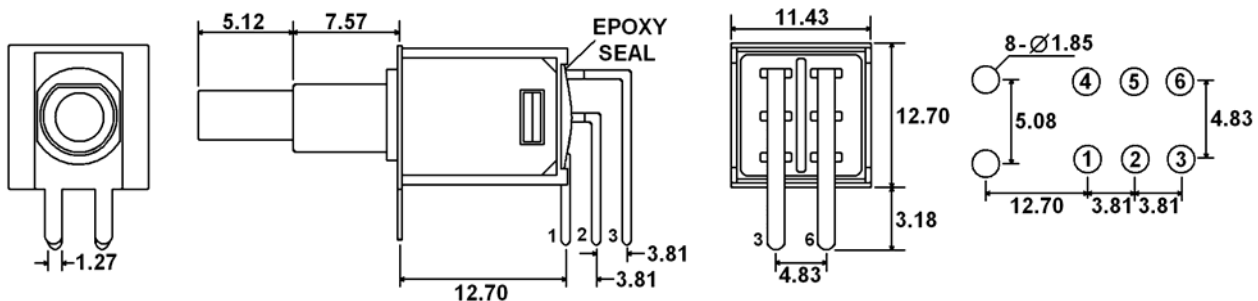
H (HS – Snap-in) = Horizontal Mount, Right Angle PC Pins (Single Pole)



H (HS – Snap-in) = Horizontal Mount, Right Angle PC Pins (Double Pole)

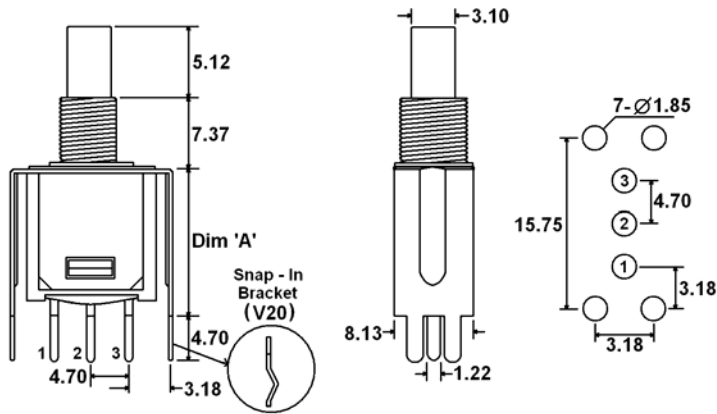


V = Vertical Mount, Right Angle PC Pins (Single Pole)



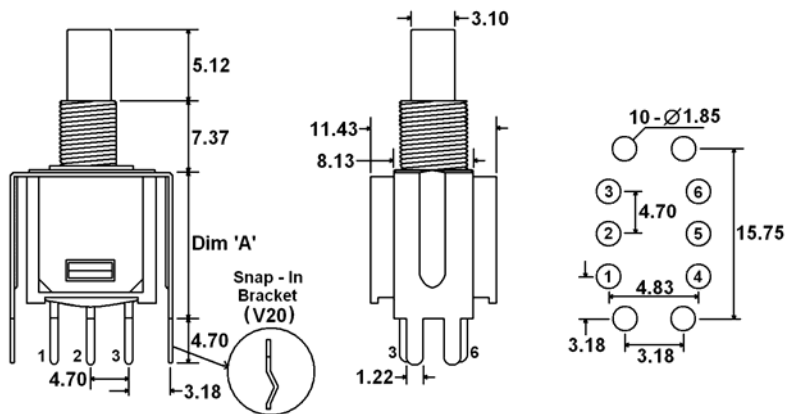
V = Vertical Mount, Right Angle PC Pins (Double Pole)

TERMINAL OPTIONS



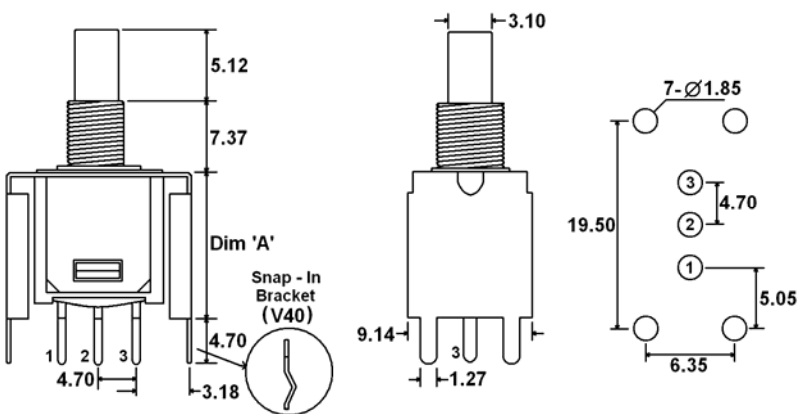
Terminal Option	"A" Dimension
S20-V20	11.68
S25-V25	16.00

S20/S25 (V20/V25 – Snap-in Bracket) = PC Pins with Support Bracket (Single Pole)



Terminal Option	"A" Dimension
S20-V20	11.68
S25-V25	16.00

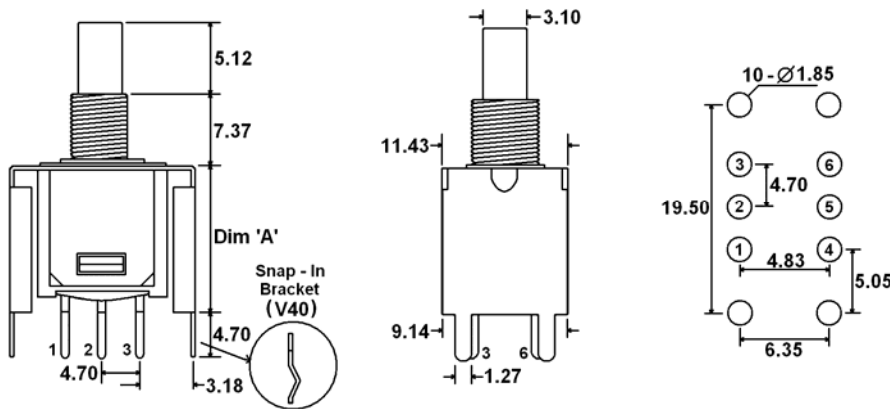
S20/S25 (V20/V25 – Snap-in Bracket) = PC Pins with Support Bracket (Double Pole)



Terminal Option	"A" Dimension
S40-V40	16.00

S40 (V40 – Snap-in Bracket) = PC Pins with Support Bracket (Single Pole)

TERMINAL OPTIONS



Terminal Option	"A" Dimension
S40-V40	16.00

S40 (V40 – Snap-in Bracket) = PC Pins with Support Bracket (Double Pole)

CONTACT OPTIONS

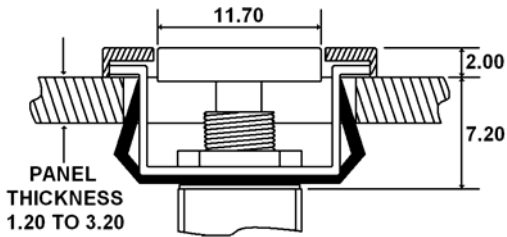
Designator	Contact Material	Terminal Material	Electrical Ratings
Q	Silver Plating	Silver Plating	3A @ 120 VAC, 28VDC; 1A @ 250VAC
R	Gold over Nickel Plating	Gold over Nickel Plating	.4 VA max @ 20VAC or VDC max
G	Gold over Silver Plating	Gold over Silver Plating	.4 VA max @ 20VAC or VDC max or 3A @ 120 VAC, 28VDC; 1A @ 250VAC

CAP OPTIONS

<p>C73_ 1 = White, 2 = Black, 3 = Red Contact Factory for other available colors</p>	<p>C74_ 1 = White, 2 = Black, 3 = Red Contact Factory for other available colors</p>	<p>C75_ 1 = White, 2 = Black, 3 = Red Contact Factory for other available colors</p>
<p>C76_ 1 = White, 2 = Black, 3 = Red Contact Factory for other available colors</p>	<p>C77_ 1 = White, 2 = Black, 3 = Red Contact Factory for other available colors</p>	

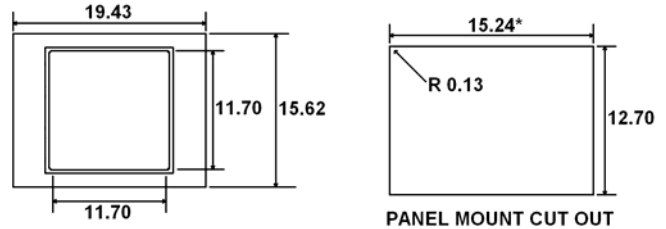
FRAME OPTIONS

F75__ ← (Insert Cap & Frame Colors Here)



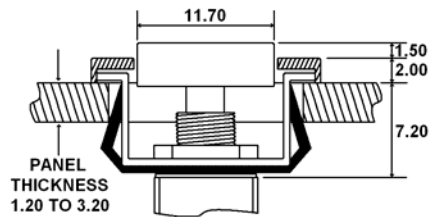
Cap Color / Frame Color: 1 = White, 2 = Black, 3 = Red

Increase the length dimension to 15.75/15.88 for 1.5/3.2 thick panels



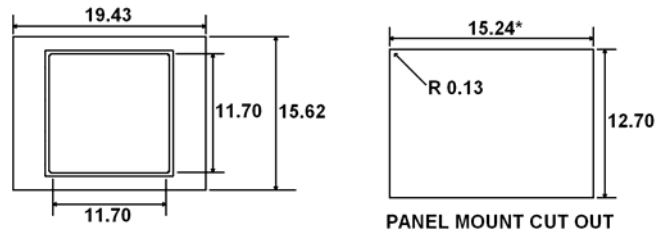
**Contact factory for other available colors

F76__ ← (Insert Cap & Frame Colors Here)



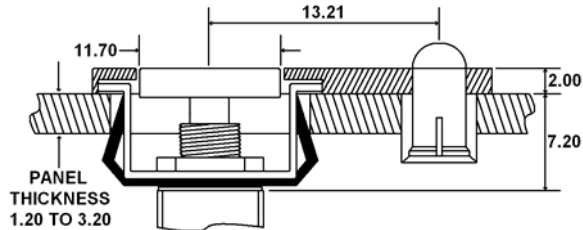
Cap Color / Frame Color: 1 = White, 2 = Black, 3 = Red

Increase the length dimension to 15.75/15.88 for 1.5/3.2 thick panels



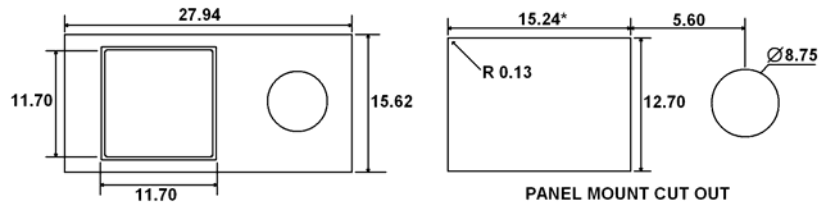
**Contact factory for other available colors

L75__ ← (Insert Cap, Frame & LED Colors Here)



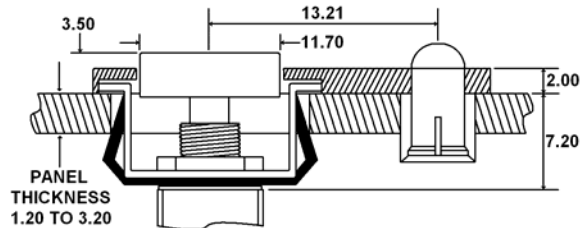
Cap Color / Frame Color: 1 = White, 2 = Black, 3 = Red

Increase the length dimension to 15.75/15.88 for 1.5/3.2 thick panels



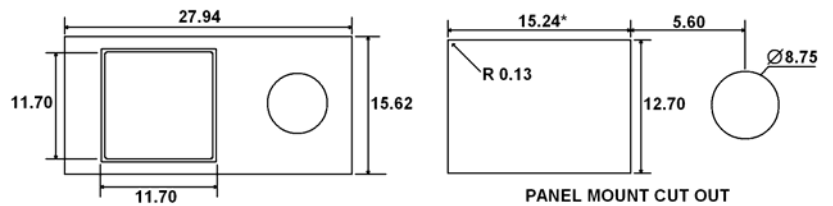
**Contact factory for other available colors

L76__ ← (Insert Cap, Frame & LED Colors Here)



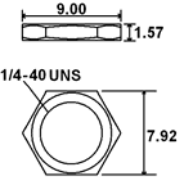
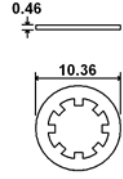
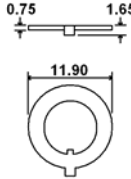
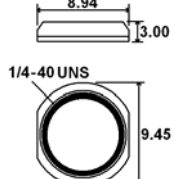
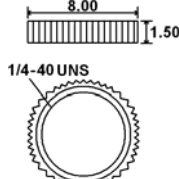
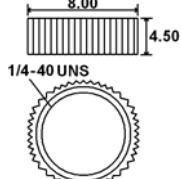
Cap Color / Frame Color: 1 = White, 2 = Black, 3 = Red
 LED Color R = Red, Y = Yellow, G = Green

Increase the length dimension to 15.75/15.88 for 1.5/3.2 thick panels

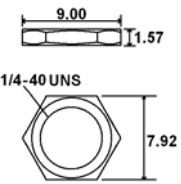
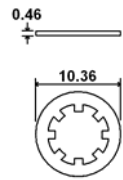
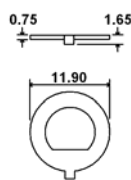
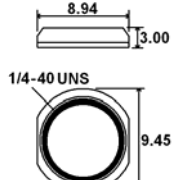
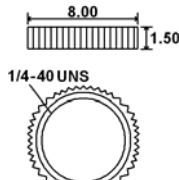
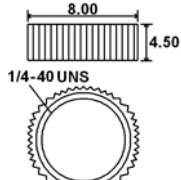


**Contact factory for other available colors

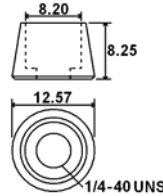
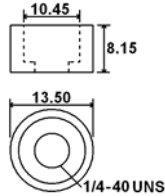
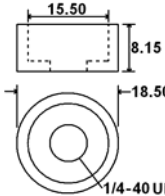
HARDWARE **Two hex nuts, one lock washer, & one locking ring supplied standard with threaded bushings

 <p>Hex Nut</p>	 <p>Lock Washer</p>	 <p>Locking Ring</p>	 <p>Dress Nut</p>	 <p>Knurled Nut</p>	 <p>Knurled Nut</p>
---	---	--	--	---	---

**For use with F4 bushings

 <p>Hex Nut</p>	 <p>Lock Washer</p>	 <p>Locking Ring</p>	 <p>Dress Nut</p>	 <p>Knurled Nut</p>	 <p>Knurled Nut</p>
---	---	--	--	---	---

**For use with F9 bushings

 <p>Cap Shroud A</p>	 <p>Cap Shroud B</p>	 <p>Cap Shroud C</p>
---	---	---